


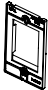



# CLOUD INTELLIGENT WALL SWITCH POWERED BY PoE

## BEFORE YOU START

### 1) PACKAGE CONTENTS

1. Glass panel wall switch
2. Wall switch mounting bracket
3. Hardware accessories bag
4. Quick Start Guide

<b>PATTERN</b>			
<b>ITEM</b>	Glass panel wall switch	Wall switch mounting bracket	Quick start
<b>QUANTITY</b>	1	1	1

### 2) PRODUCT DESCRIPTION

**2-A.** PoEWit PoE powered wall switch is 802.3at (Type 2, 30W) compliant and is designed to mount into a standard single-gang low-voltage bracket (not-included). The wall switch provides a capacitive touch interface to control (dimming, on/off)



PoEWit lighting devices. In addition, the wall switch is a local proxy to control PoEWit devices in case cloud connectivity is temporarily lost.

**2-B.** Unique construction with ON and OFF touch areas that provide hold-to-dim feature. No AC power is required.

**2-C.** Dimensions, See Figure 1 below

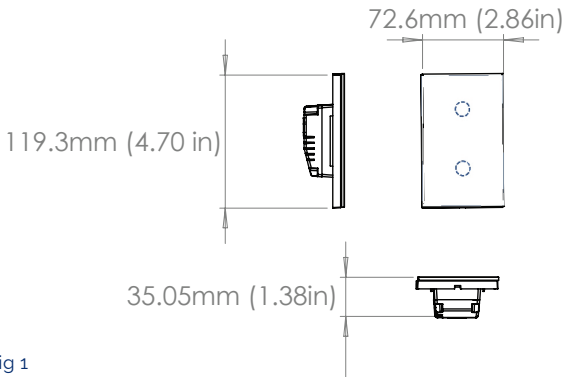


Fig 1

### 3) INSTALLATION AND WIRING

1. Select a proper location and insert a single gang low-voltage racket (not included)
2. Install an Ethernet cable (CAT5/6) from your PoE Wit PoE Switch to the location selected for wall switch installation. (Figure 2).

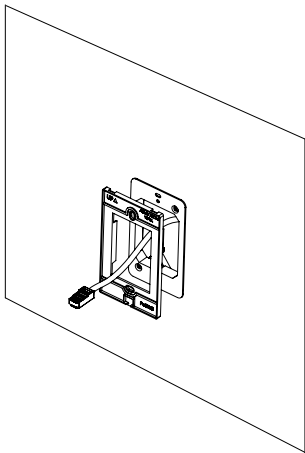


Figure 2. Single Gang Low-Voltage Bracket with terminated Ethernet Cable

3. Install the PoE Wit wall switch mounting bracket. Verify the orientation as embossed on the wall switch (UP^ and "AWAY FROM WALL") are readable once mounted. See Figure 3 below

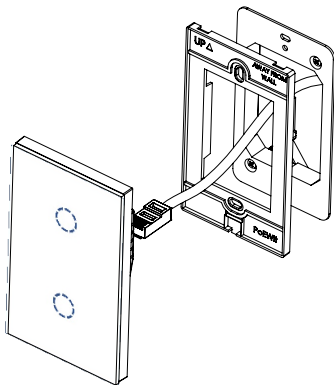
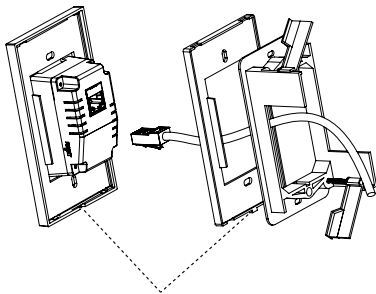


Figure 3. Wall Switch Assembly View

4. Plug PoE-enabled ethernet cable into wall switch. Verify GREEN LED illuminated on the jack showing PoE power and AMBER LED showing local network connectivity. Cloud connection is required for initial setup of the device. If cloud-connection is available, a blue led will light up that is visible through the ventilation slots on the left side.
5. Attach wall switch to mounting bracket top first. Verify that the wall switch is oriented with the single slot to the bottom. Wall switch will clip into the bracket on the bottom. See Figure 4



Match slot on Wall Switch to tab on bracket

Figure 4



### 3) CONFIGURATION INSTRUCTIONS

Power up the device and you should be automatically connected to the Internet. You are now ready to download and install our App.

You can search PoEWit in the Apple App Store or Google Play to get the App.

**NOTE: Your device and mobile phone both must have an internet connection through the same external IP address and must be on the same local subnet.**

**After initial configuration, a PoEWit wall switch and/or PoEWit motion detector PIR can control the lights should the internet connection go down.**

